

MASSTC Falmouth Urine Diversion Study

Remote Home Assessments | Project Overview

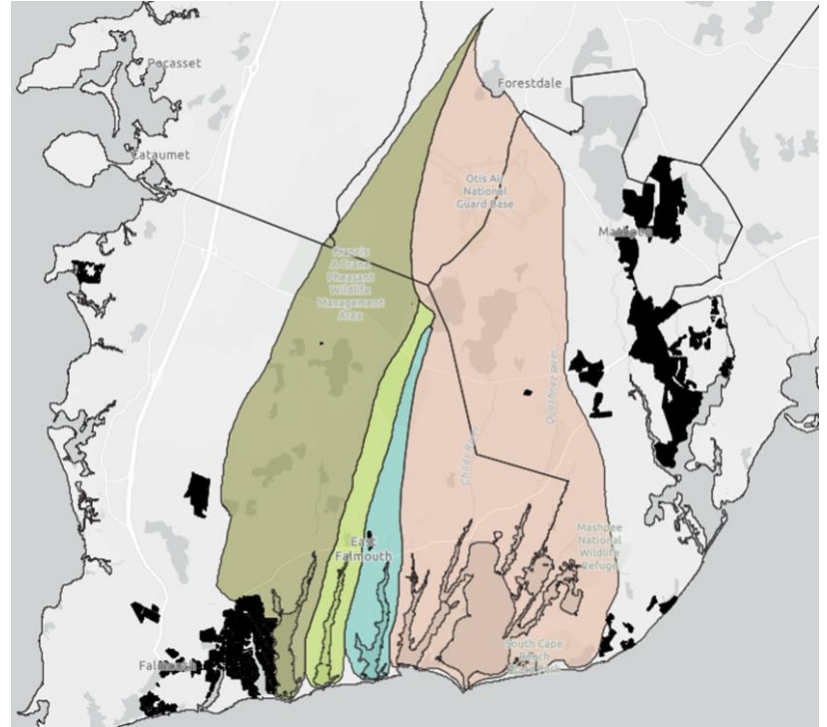
Last Updated on May 18, 2026

MASSTC Urine Diversion Project

Who: MASSTC / Town of Falmouth and 25 homeowners in four of Falmouth's impaired watersheds (Waquoit Bay, Green Pond, Bournes Pond, and Great Pond)

What: 319 Implementation Grant Funding from the EPA to install, monitor and study Urine Diversion systems as a way to divert nitrogen

When: MASSTC is currently conducting home assessments and aiming to have installations completed by December 2026 to allow for two years of data collection



Urine Diversion to Reduce Nutrients



Excess nitrogen harms coastal and freshwater waterbodies.

An estimated **80%** of nitrogen entering Cape Cod comes from traditional septic systems.

The current method of updating septic systems is implementing I/A systems, which can be costly.

80% of nitrogen coming out of a single family home is found in urine. On average each individual generates 120 gallons of urine per year.

Urine diversion provides an opportunity to prevent large amounts of nitrogen from enter the Cape environment, without removing or upgrading existing septic systems.

Participation Steps

1

Remote Assessment

A project consultant will contact you to discuss the project, details of your home, and UD system options.

2

In-home Assessment

A project consultant and plumber will visit to capture site and installation details.

3

Options Summary and Estimate Delivered

Participants receive an assessment summary including fixture options and a cost estimate.

4

Signed Agreements

Participants sign a reimbursement contract and operation and maintenance agreement.

Participation Steps

5

Design & Permitting of System

Project team works with participants to design and permit the selected UD system.

6

Installation of System

Project team works with plumber and participant to acquire system components and complete installation.

7

Reimbursement

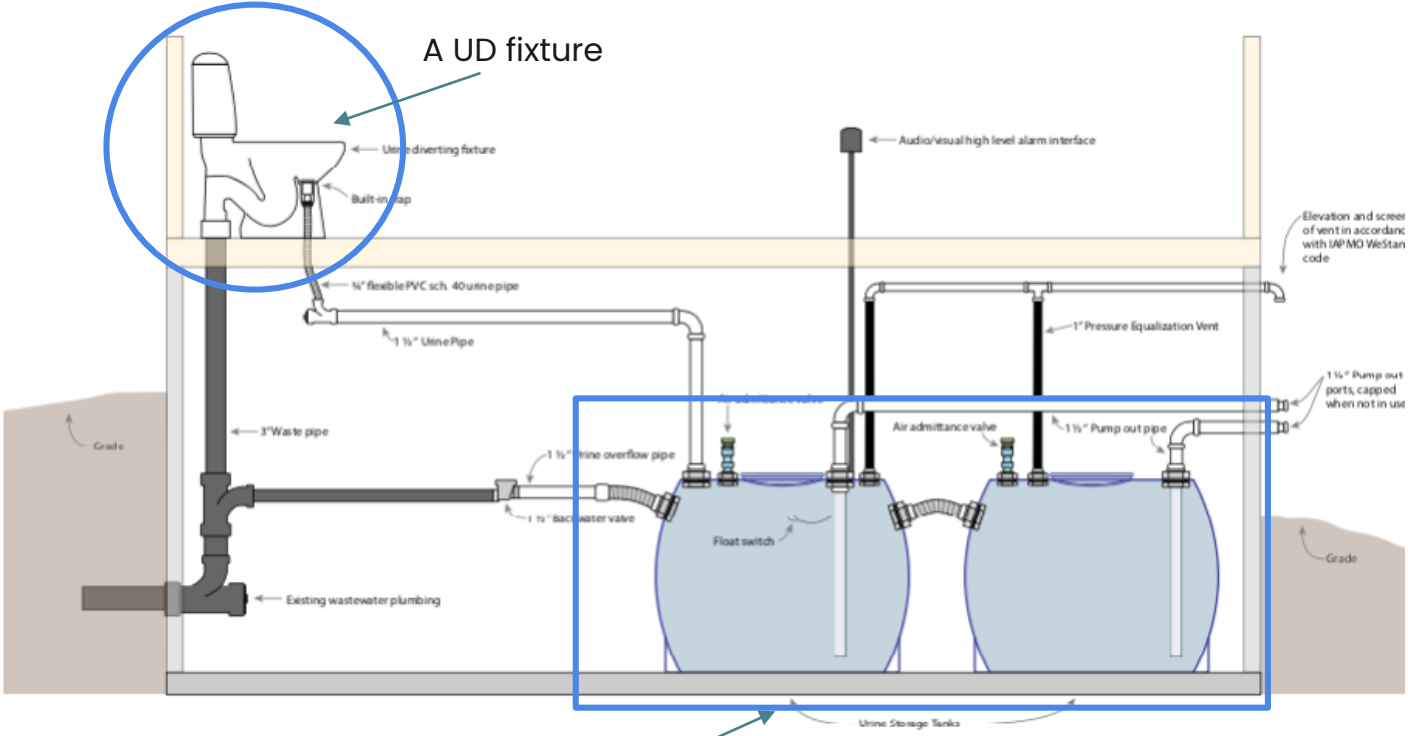
Once installation is complete, participants submit itemized receipts to MASSTC for reimbursement.

8

Sampling and Monitoring

MASSTC will conduct sampling and monitoring on a quarterly basis for two years.

Urine Diverting System



Storage system

Urine Diverting Flush Toilets

Wostman Eco Flush (\$900, [Link](#))



Wostman Eco Flush (\$900, [Link](#))



EcoDry
Urine Diverting
Dry WC

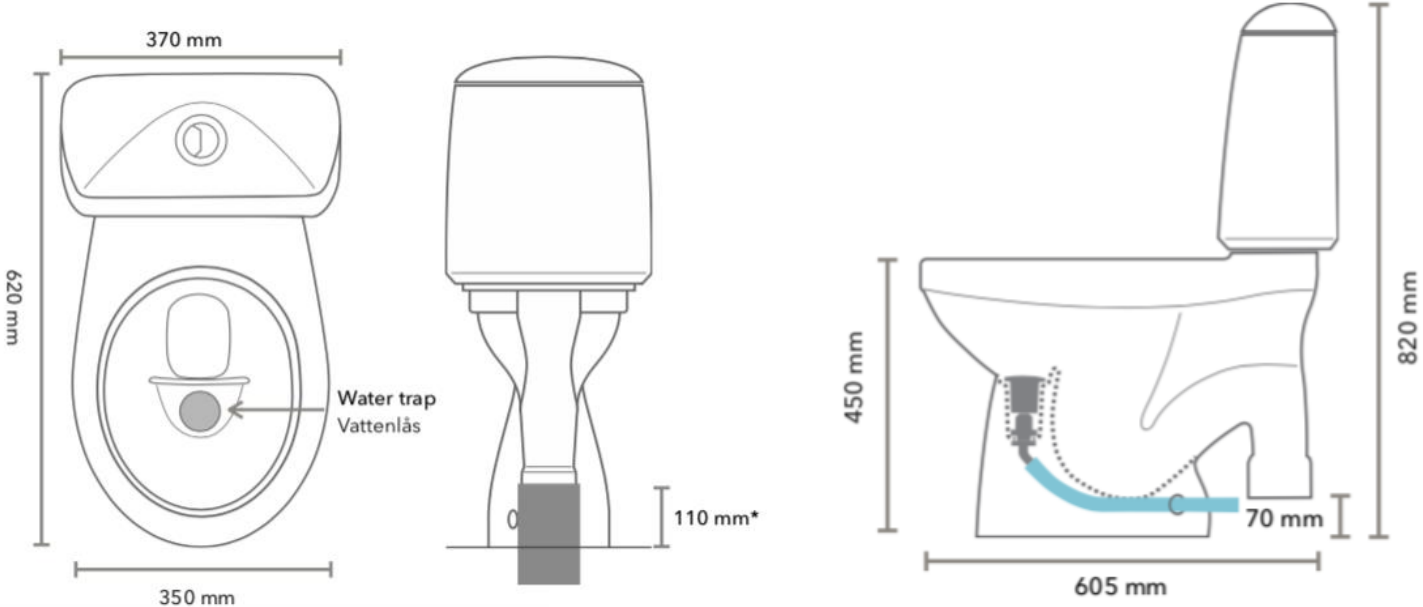


EcoFlush
Urine Diverting
Classic WC



EcoVac
Urine Diverting
Vacuum WC

Wostman Eco Flush (\$900, [Link](#))



Wostman Eco Flush in Vermont



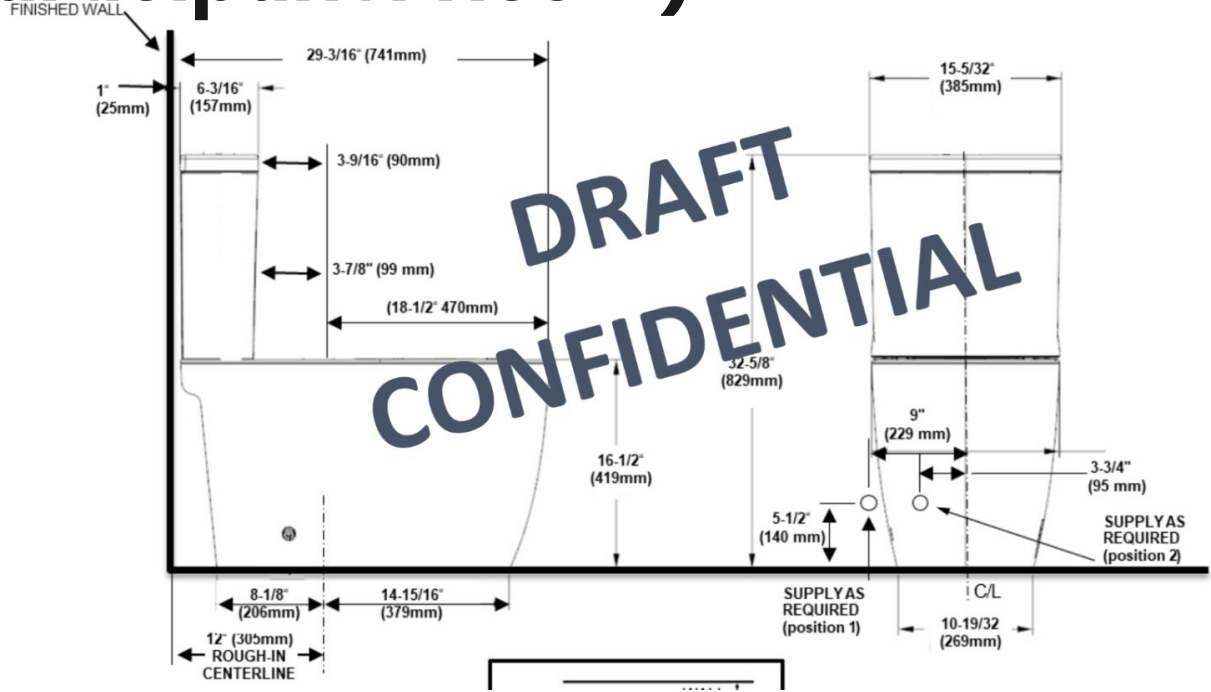
LIXIL Reclaim (\$1,270 Retail Price, \$0 Participant Price)



Confidential. Not for distribution.

***Prices listed are subject to change without notice. LIXIL reserves the right to discontinue, alter, modify or redesign products without liability.*

LIXIL Reclaim (\$1,270 Retail Price, \$0 Participant Price**)



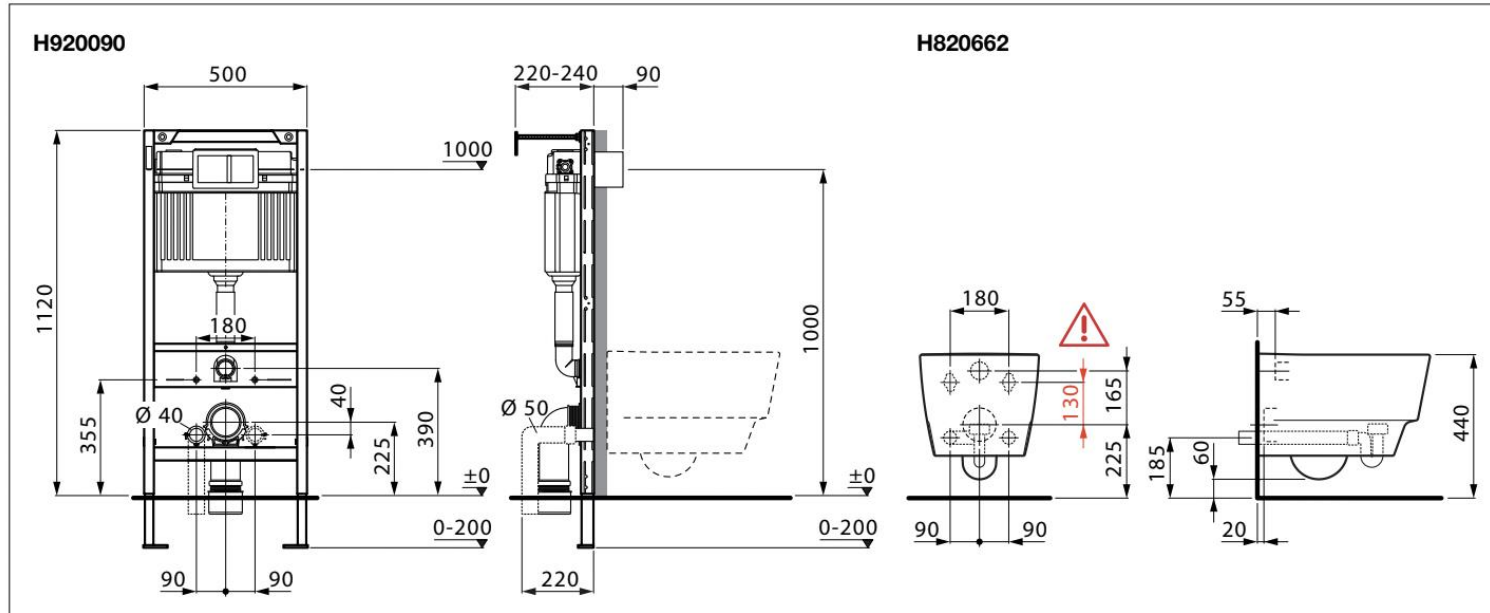
Confidential. Not for distribution.

**Prices listed are subject to change without notice. LIXIL reserves the right to discontinue, alter, modify or redesign products without liability.

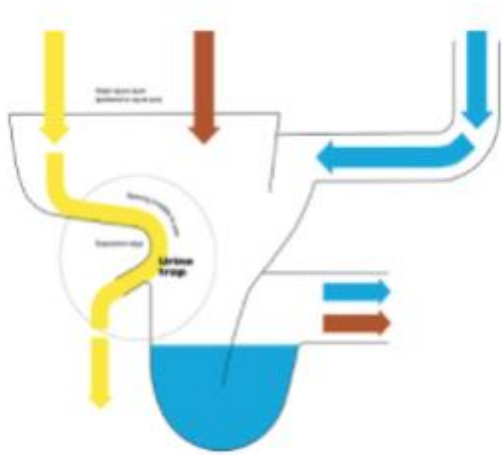
Laufen Save! (\$2,450, [Link](#))



Laufen Save! (\$2,450, [Link](#))



Laufen Save! (\$2,450, [Link](#))



Laufen Pilot at Research Center

Waterless Urinals

P-Pod (\$150)



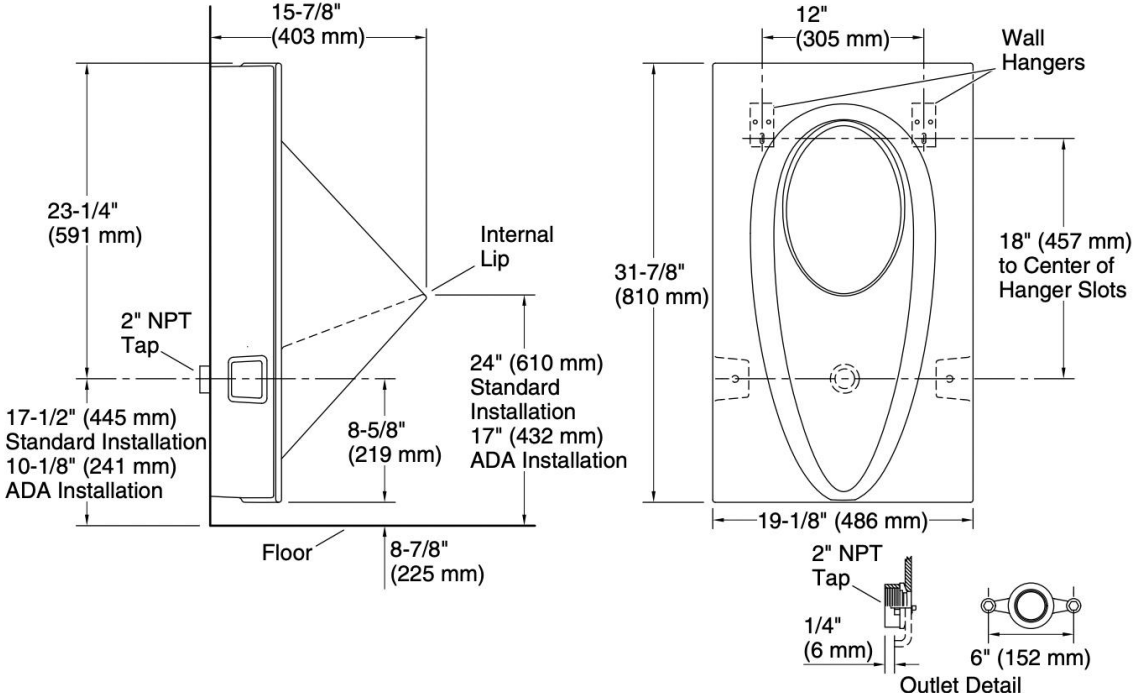
P-POD in-wall urinal in closed and open position



Kohler Steward Urinal (\$600-\$900)[Link](#)



Kohler Steward Urinal (\$600-\$900, [Link](#))



Additional Waterless Urinals

Zoro, \$348, [Link](#)



If you are interested in a flush urinal, the team can share a list of Massachusetts Plumbing Board approved urinals.

Vacuum Flush + Composting Toilets

Jets Vacuum Flush Toilets (\$6,000, [Link](#))



Connected to a Phoenix Compost Toilet



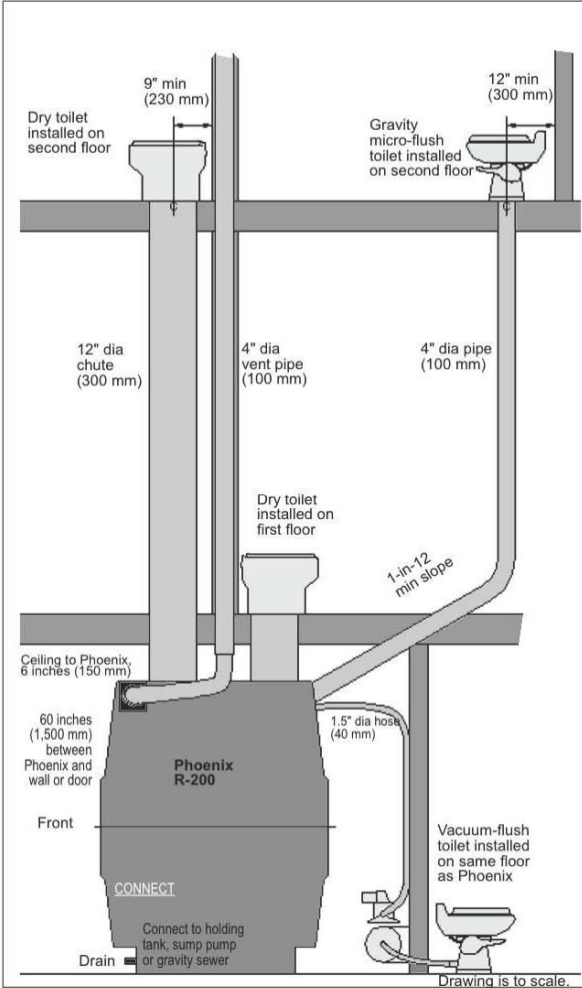
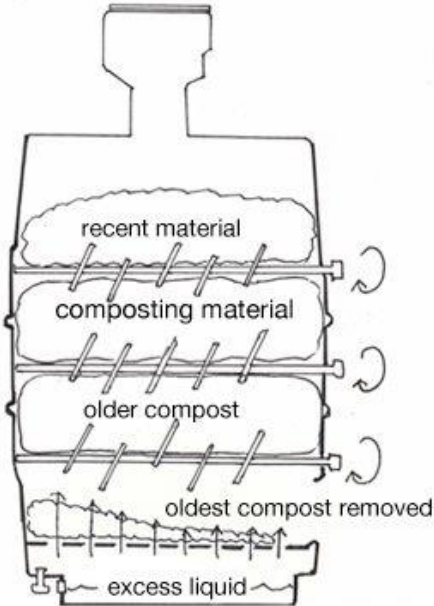
Phoenix Compost Toilet (\$13,000, [Link](#))



Phoenix Compost Toilet

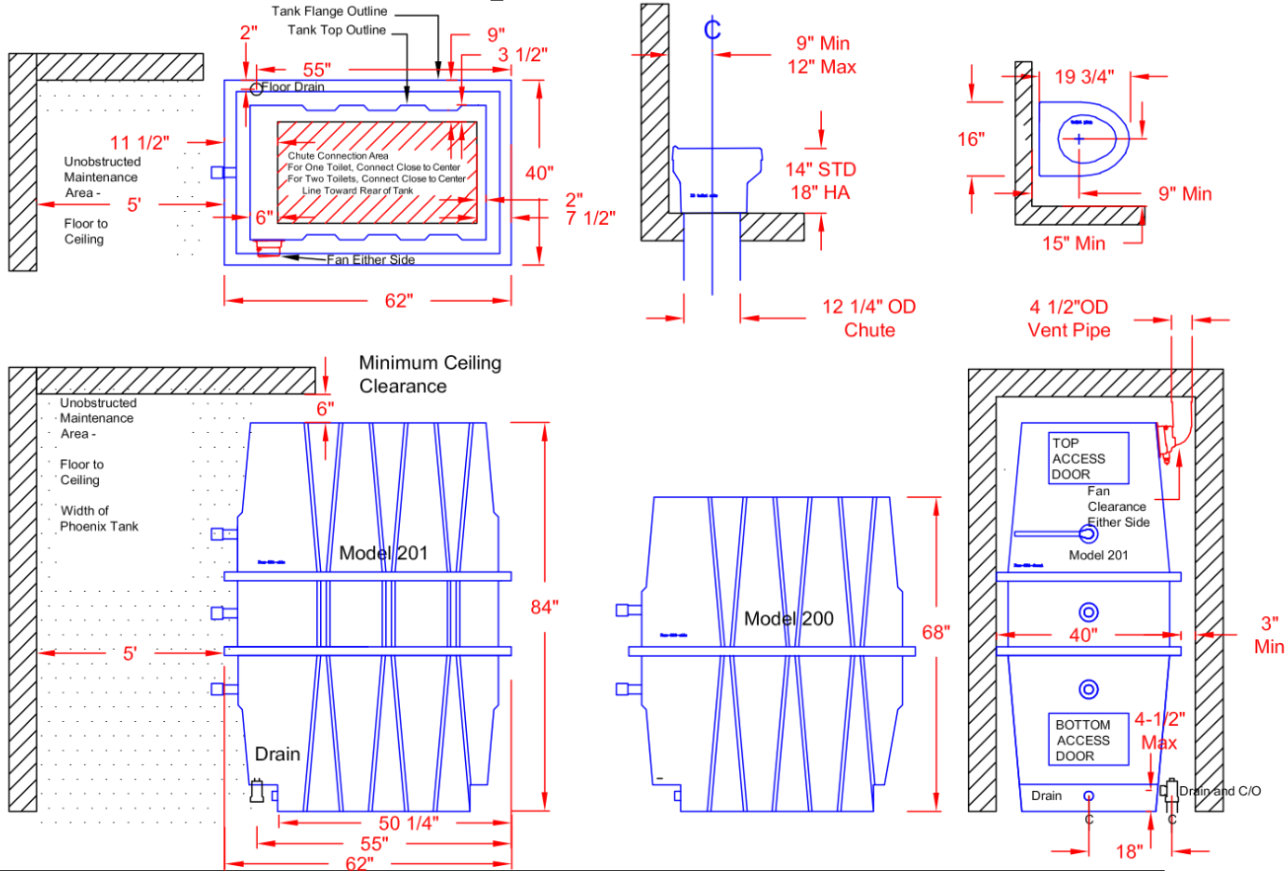


Phoenix



Drawing is to scale.

Phoenix Compost Toilet



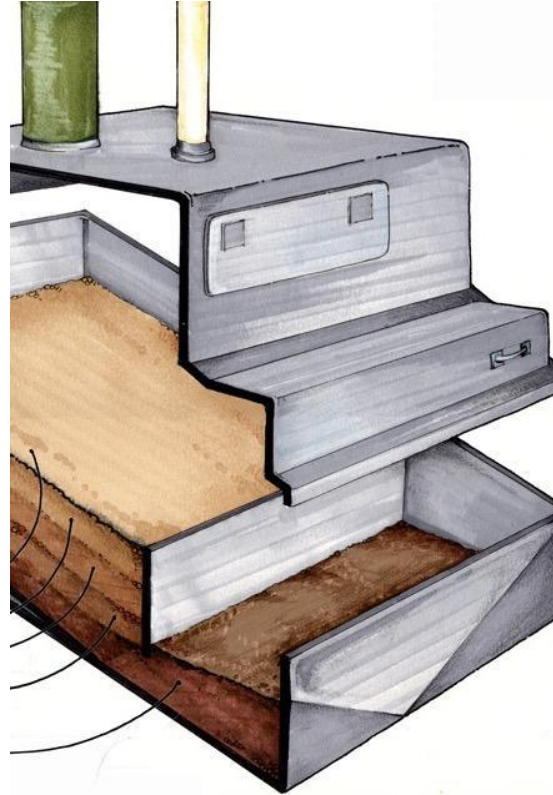
Phoenix Dimensions and Clearances

Foam Flush + Composting Toilets

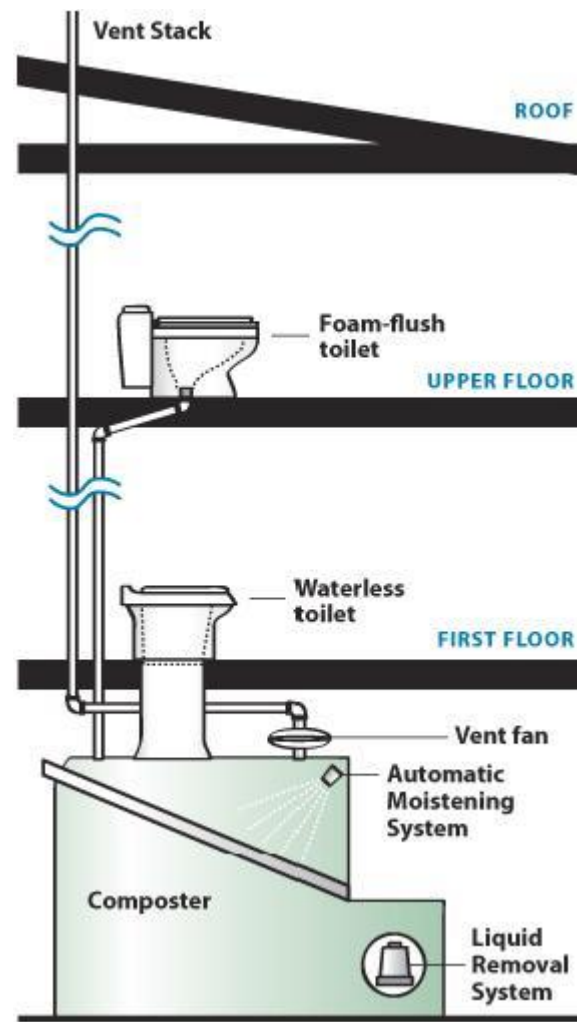
Clivus Multrum Composting Toilet (\$18,000, [Link](#))



Foam Flush Toilet

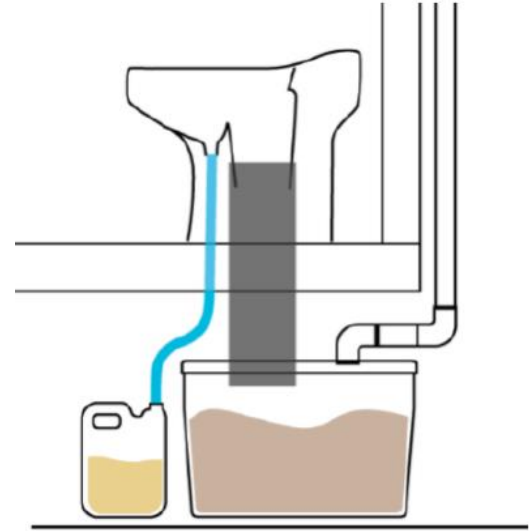


Clivus Multrum Composting Toilet



Batch Composting Toilets

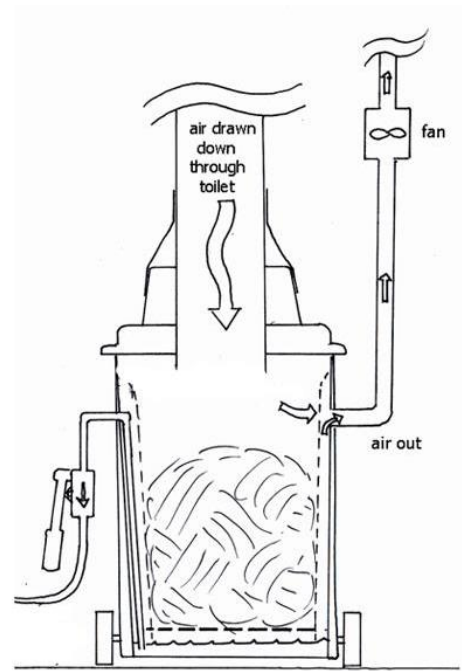
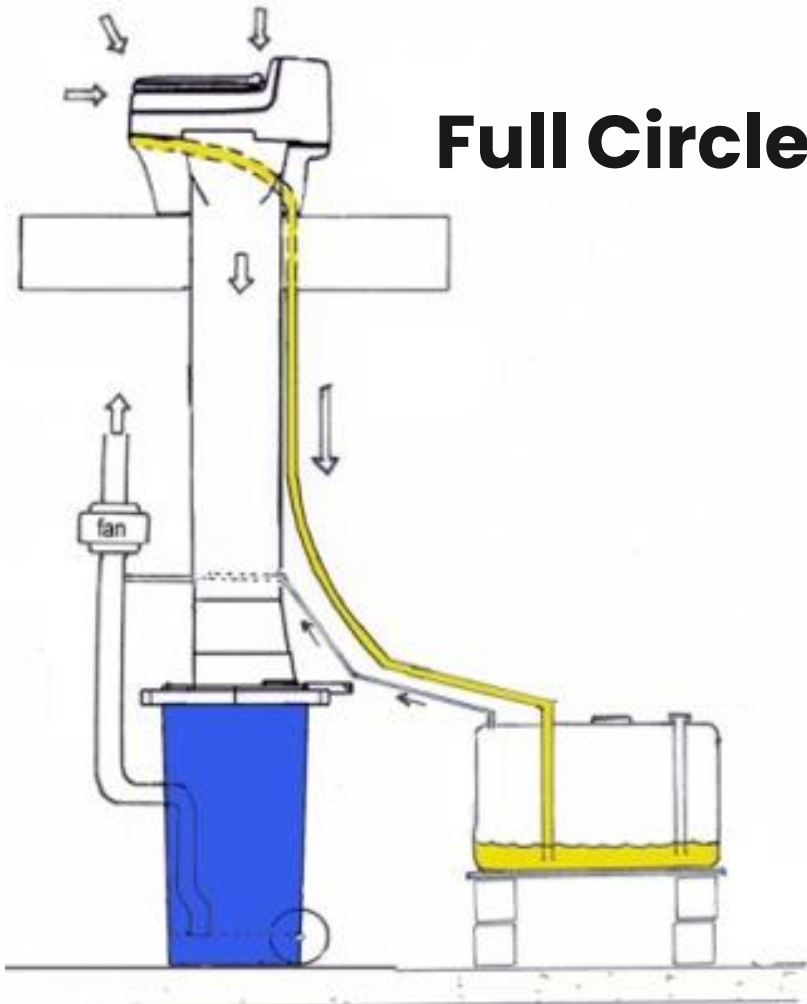
Wostman Eco Dry (\$616, [Link](#))



Full Circle (\$2,750, No Link)



Full Circle (\$2,750, No Link)



design copyrighted 2010
Full Circle Compost Consulting

Full Circle (\$2,750, No Link)



Nature Loo Containers (\$2,499, [Link](#))



Nature Loo Pasadero (\$2,499, [Link](#))



Container EcoToilets

Seppelt Weekender(\$549, [Link](#))



Separett Villa (\$989, [Link](#))



Sunmar GTG (\$639, [Link](#))

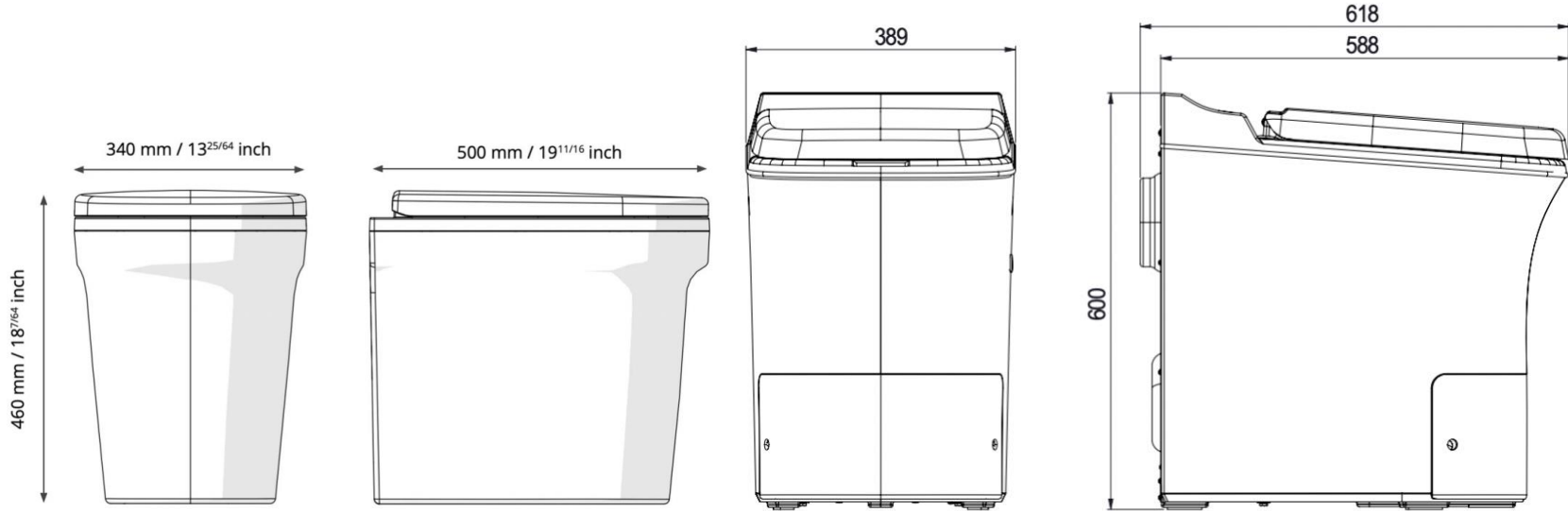


Incinerating Toilets

Cinderella Urinal + Incinerator (\$4,729, [Link](#))



Cinderella Urinal + Incinerator (\$529, [Link](#))



Urinal Dimensions

Incinerator Dimensions (mm)